

DYNACO MK4 Auto Bias Upgrade Manual

Preparation

- Disconnect relevant wires from the original PCB driver card-reference MARK IV & AB DIAGRAM
- Disconnect the connecting wire at socket 8 between tubes V2 and V3. Pins 1 and 8 on sockets V2 and V3 remain connected by wire.
- Disconnect the wire from the slider of the BIAS potentiometer leading to the driver.

Construction and Connecting the Auto Bias Module

- Mount the Auto Bias board with the new driver.
- Connect the ground point to terminal 1 on the driver.
- Connect the input to the IN terminal on the driver.
- Connect the heating tubes terminals on the driver board and connect in the tube V1 to pins 4 and 5.
- Connect feedback wires to terminals 3 and 7 - g2 power tube to terminal 7 and secondary OT to terminal 3 on the driver.
- Connect AC power 6.3V AB to terminals 4 and 5 on the driver board
- Connect CATH terminal V1 on AB to pin 1 and 8 of socket V3
- Connect CATH terminal V2 on AB to pin 1 and 8 of socket V2
- Connect GRD terminal V1 on AB to terminal 11a on the driver board
- Connect GRD terminal V2 on AB to terminal 11b on the driver board
- Connect the BIAS terminal on AB to the anode of the bias source rectifier

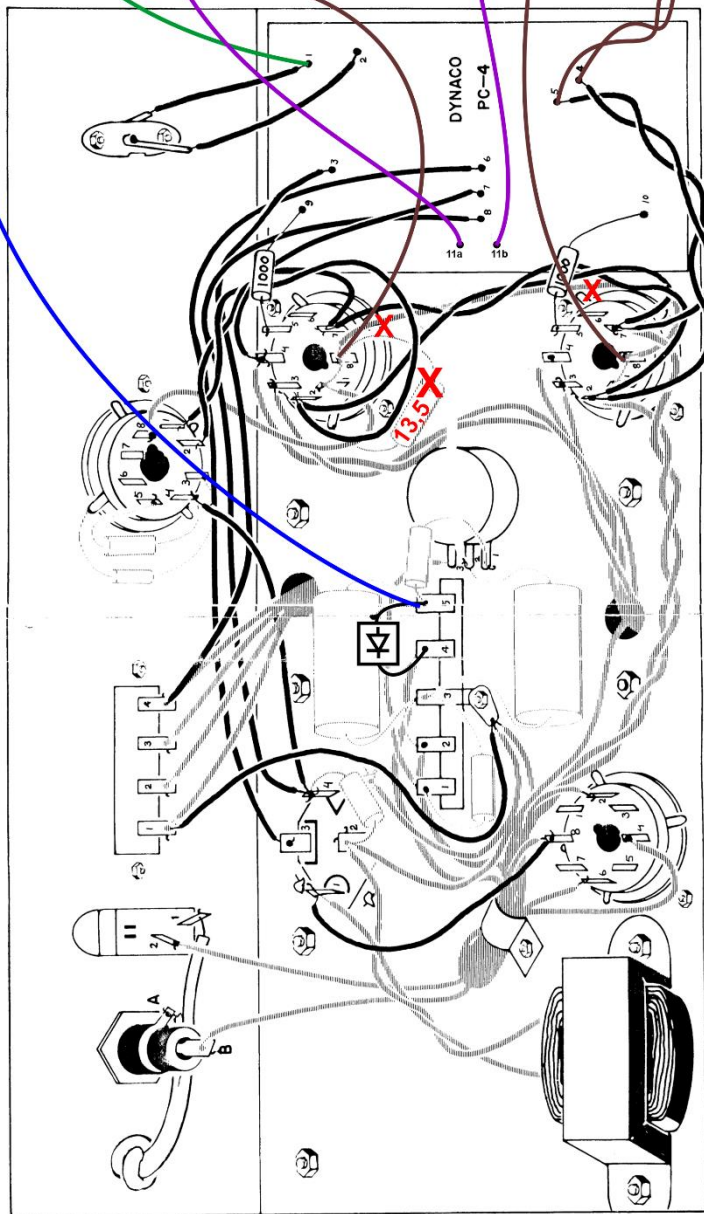
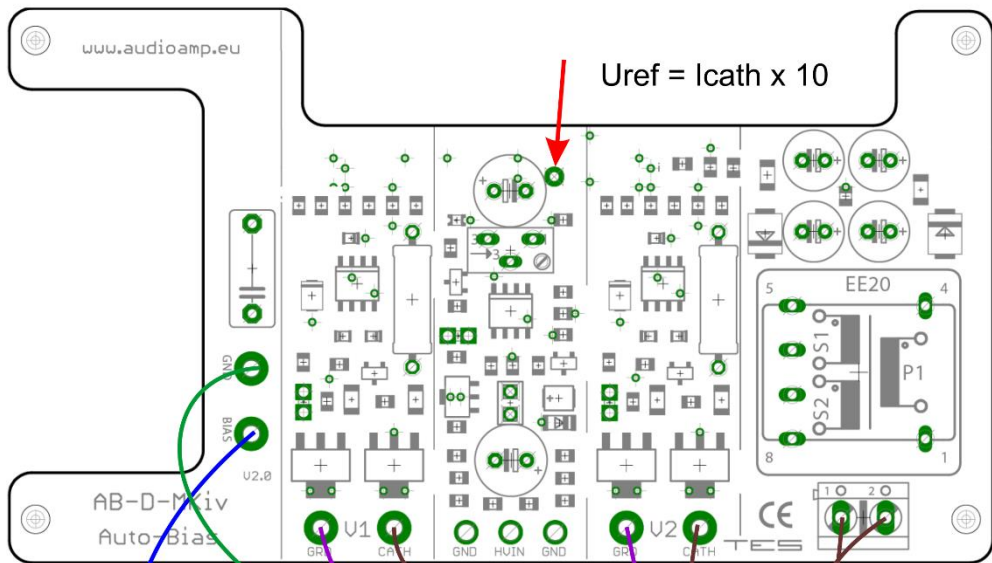
Settings

- PP stage 2 x EL34, class AB1, ultralinear:
Set bias for EL34 tube. The recommended anode current in the AB1 class is 42.5 mA. $42.5 = 425 / 10$.

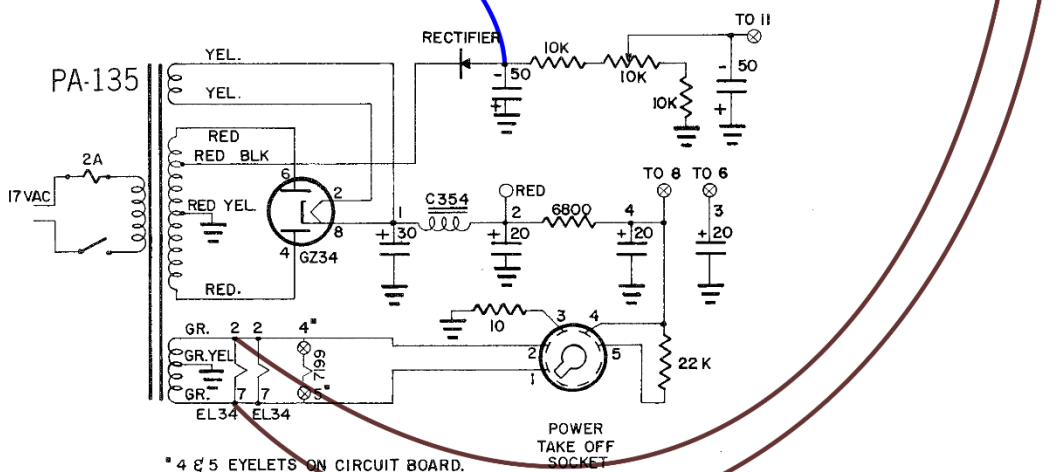
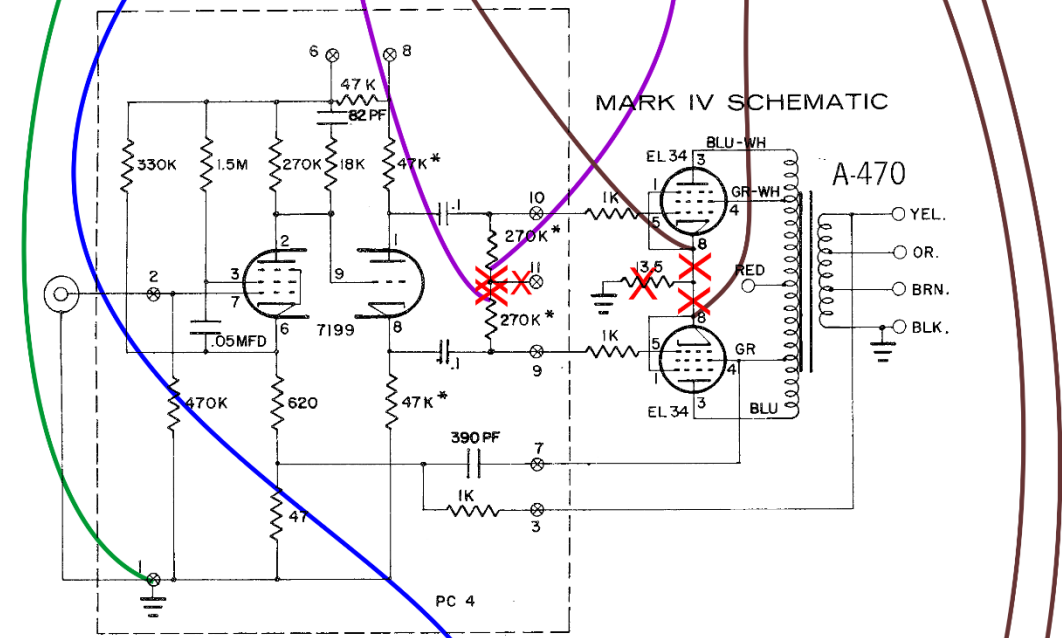
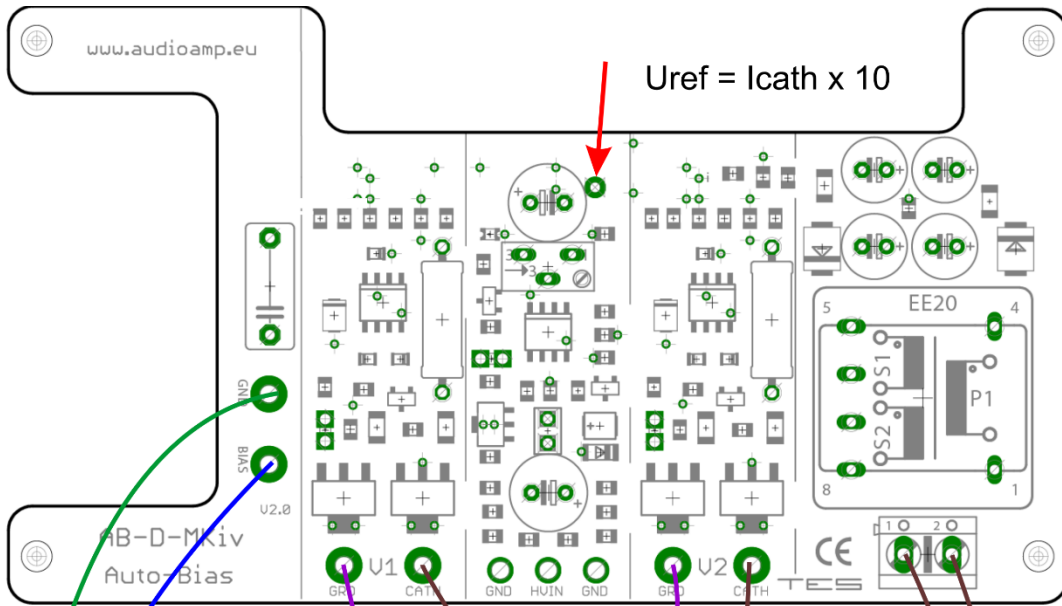
Adjust $U_{ref} = 425 \text{ mV}$ (0.425 V) using the Trim pot on the Auto Bias Module.

Very Important!

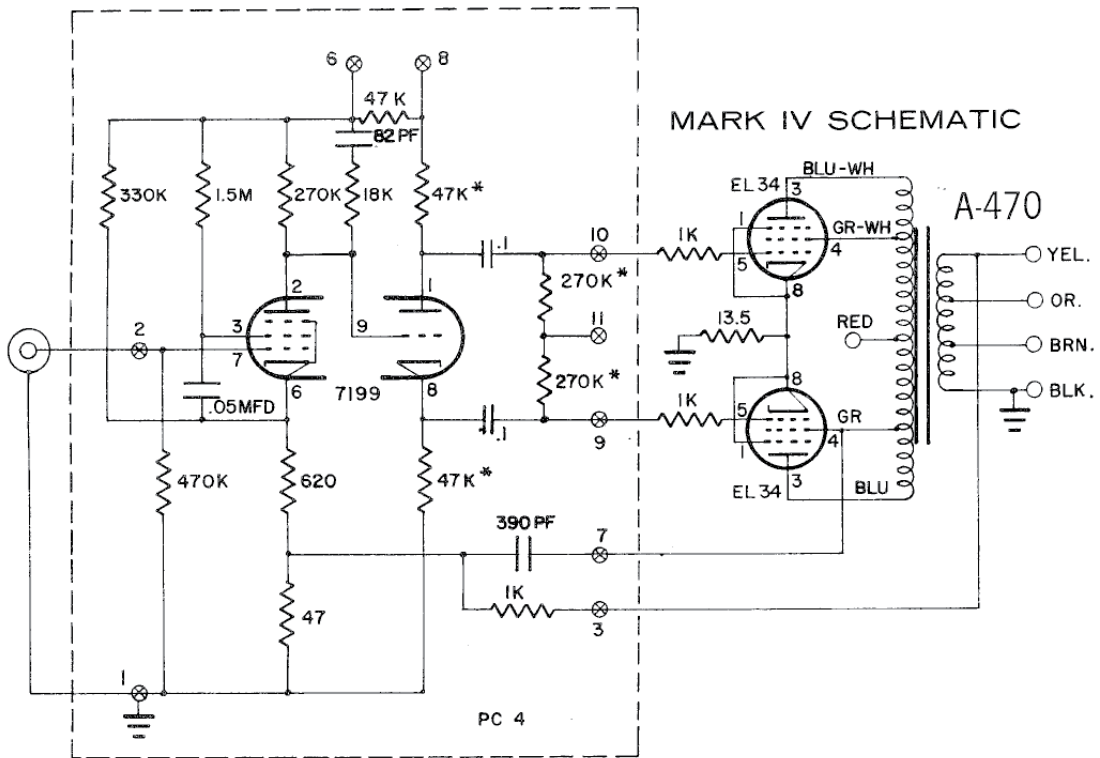
- DO NOT re-adjust the trim pot once the AB-Q module is installed and wired up. The whole idea is to set it ONCE and forget it !



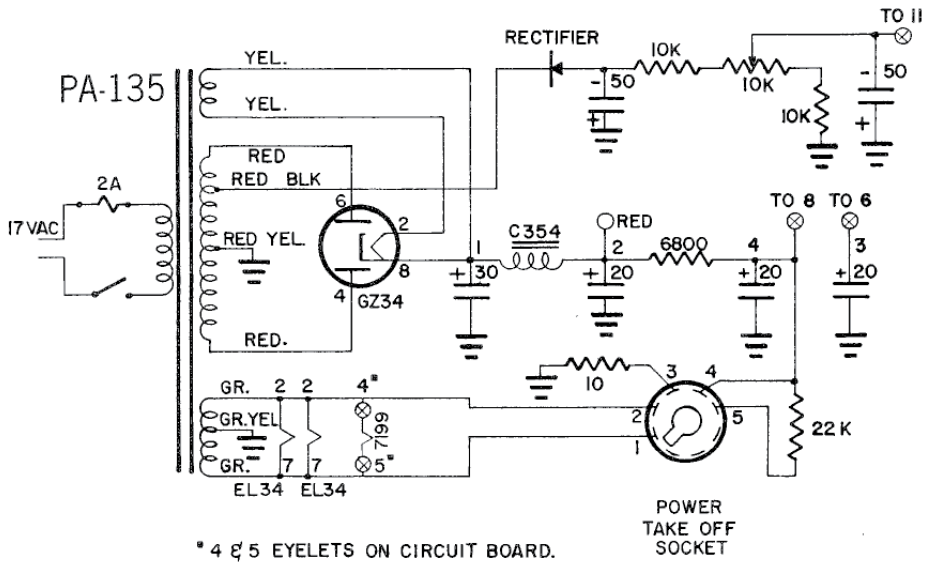
MARK IV & AB DIAGRAM



The original scheme of DYNAKIT MARK IV



* MATCHED PAIRS



* 4 & 5 EYELETS ON CIRCUIT BOARD.

POWER TAKE OFF SOCKET